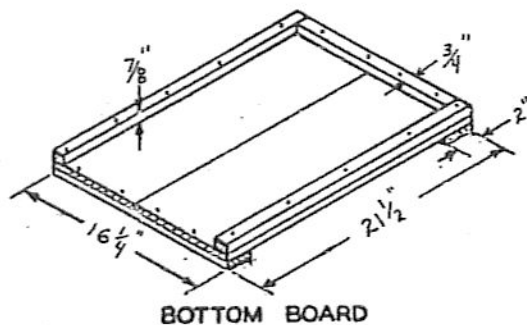
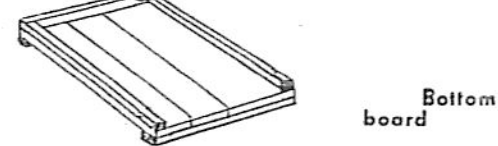
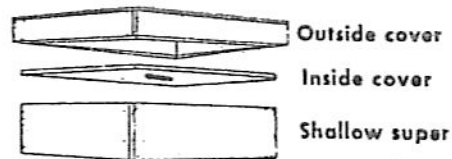
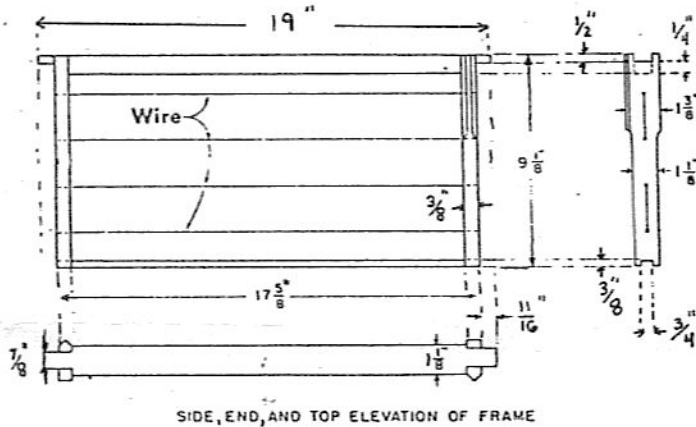
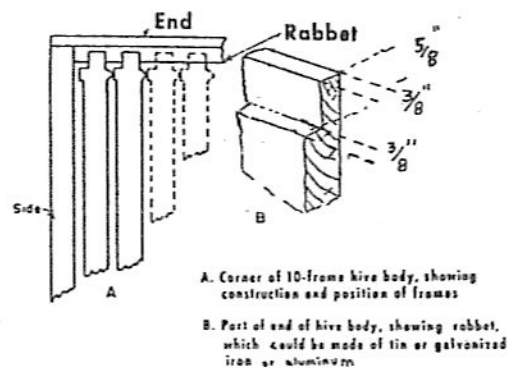
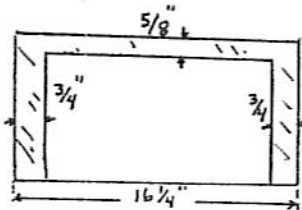
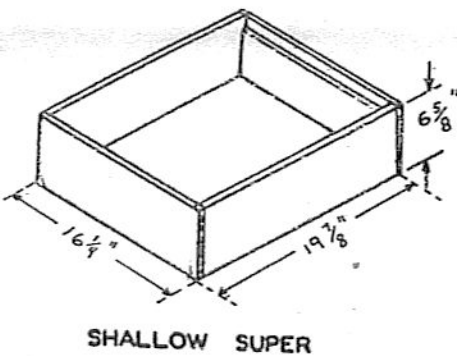
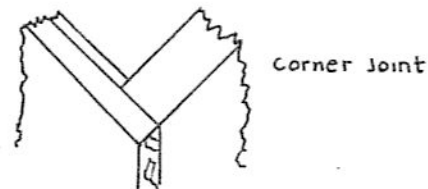
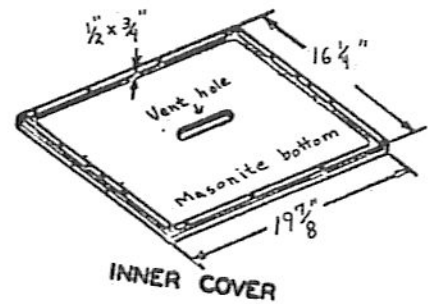
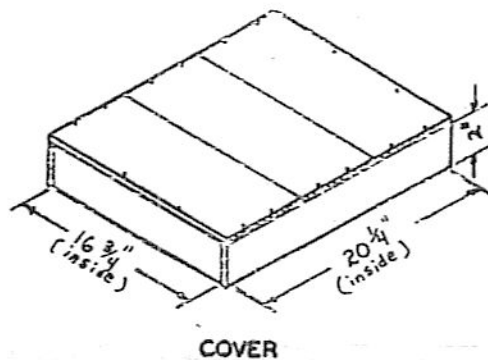


Hive body & super made from 3/4" boards

Note: Cover top with metal or waterproof material



BEE HIVE (10 Frame Langstroth)

from USDA Agr. Handbook No. 335
 by N.C. State University
 Agr. Extension Service